

02B	GEN-NEW PASTE SCREEN FOR DEK	BRD		02/06/99
02A	MINOR MOD TO CCT AND VALUES	SP/CJK		25/05/99
01A	NEW PA LINEUP	BCS/CJK		12/02/99
REV/ISS	AMENDMENTS	DRAWN	CHKD	D.O.
		APVD		DATE

PROCESSOR DSP AUDIO

252 SHEET 4

RECEIVER
246

RX-DET-AF DCFB SQL-DET SQL-SET FE-BIAS RSSI WB/NB
+5V-AN RX-LO

GND RX-ANT SHEET 3

SYNTH-VCO
2922

LCK-DET PWR-SAVE /SY-EN SY-CLK TCXO-MOD SY-DAT VCO-MOD
+14V RX-LO

GND TX-VCO
+5V-AN +7V5-SW TX-COM
SHEET 5

POWER-AMP
93

PWR-SET GATE-BIAS TX-INHIBIT PIN-SW
+7V5-BATT +7V5-BATT TX-VCO
+5V-AN +7V5-SW

GND RX-ANT SHEET 2

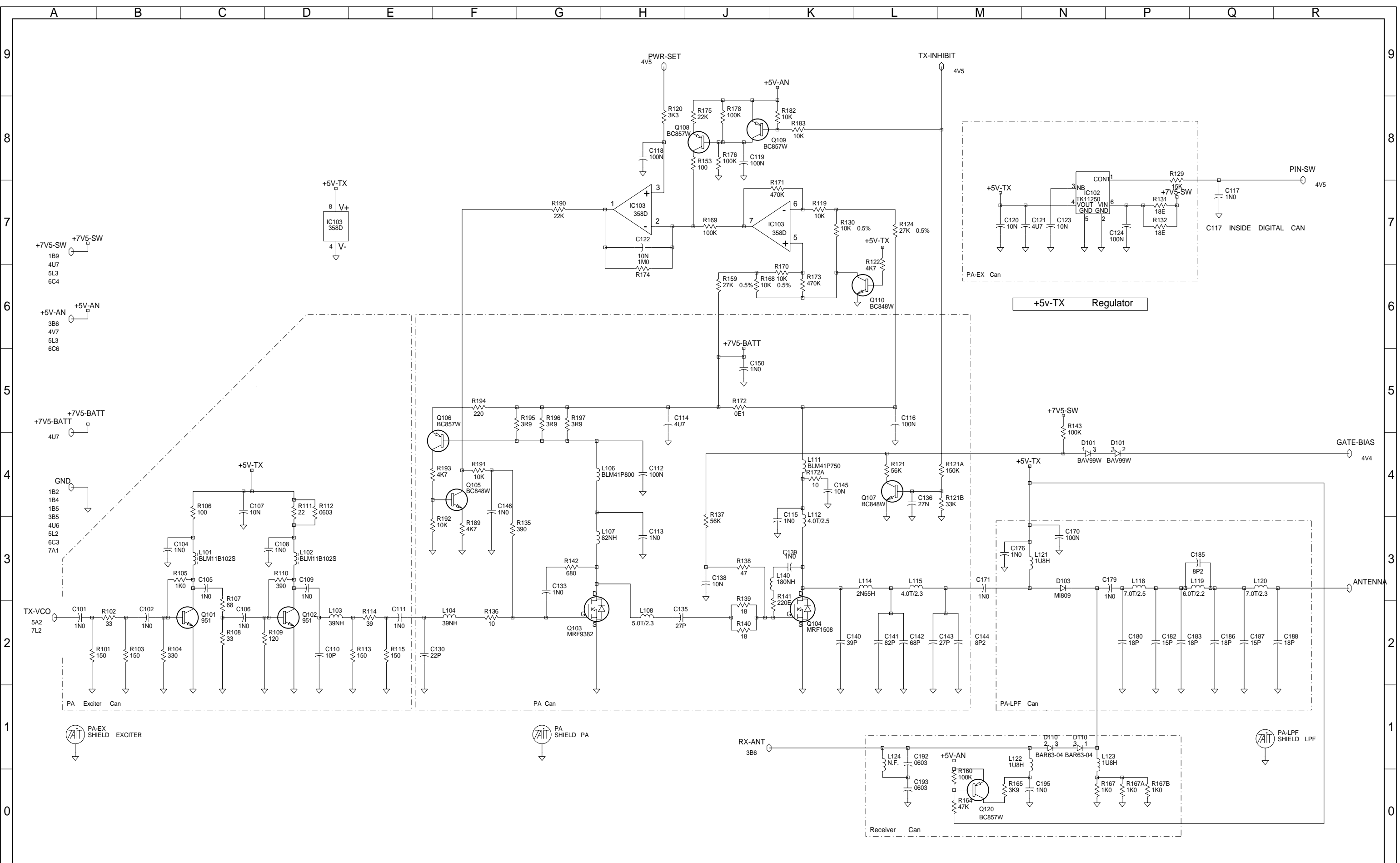
TAIT ELECTRONICS

ORCA :TP010-3122 136-174MHZ
SYSTEM DIAGRAM

IPN: 220-01588-02 ISSUE: B ID: 2.S.C. 1

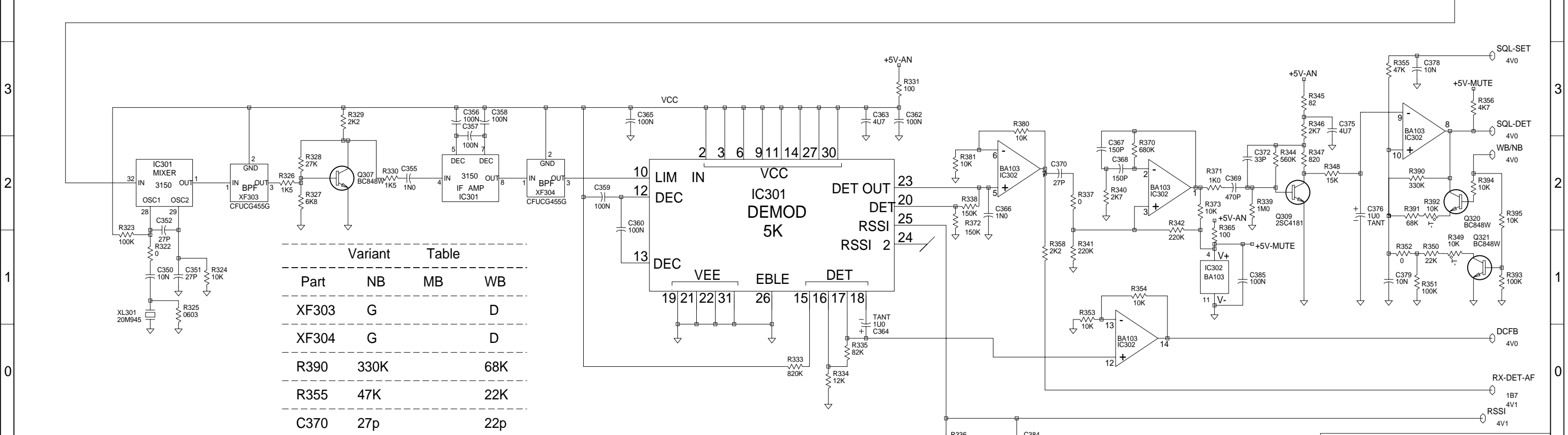
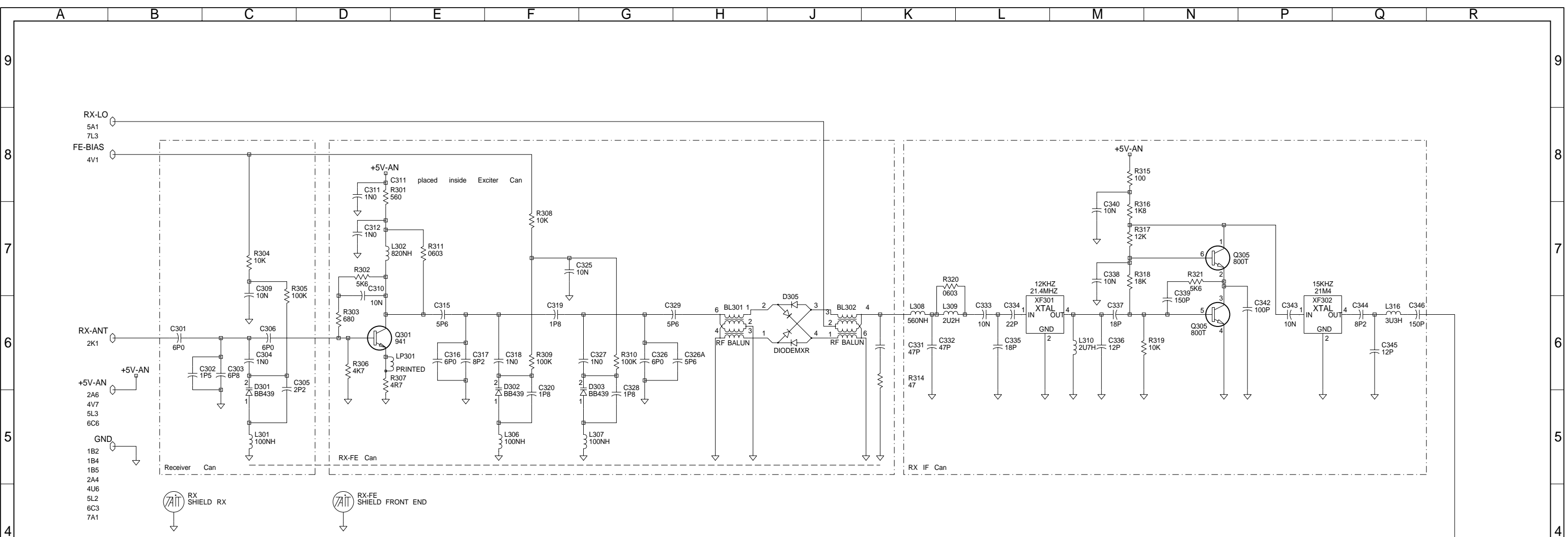
PROJECT: TAIT ORCA DESIGNER: BRD FILE NAME: 158802B FILE DATE: 02-06-99 NO.SHEETS: 7

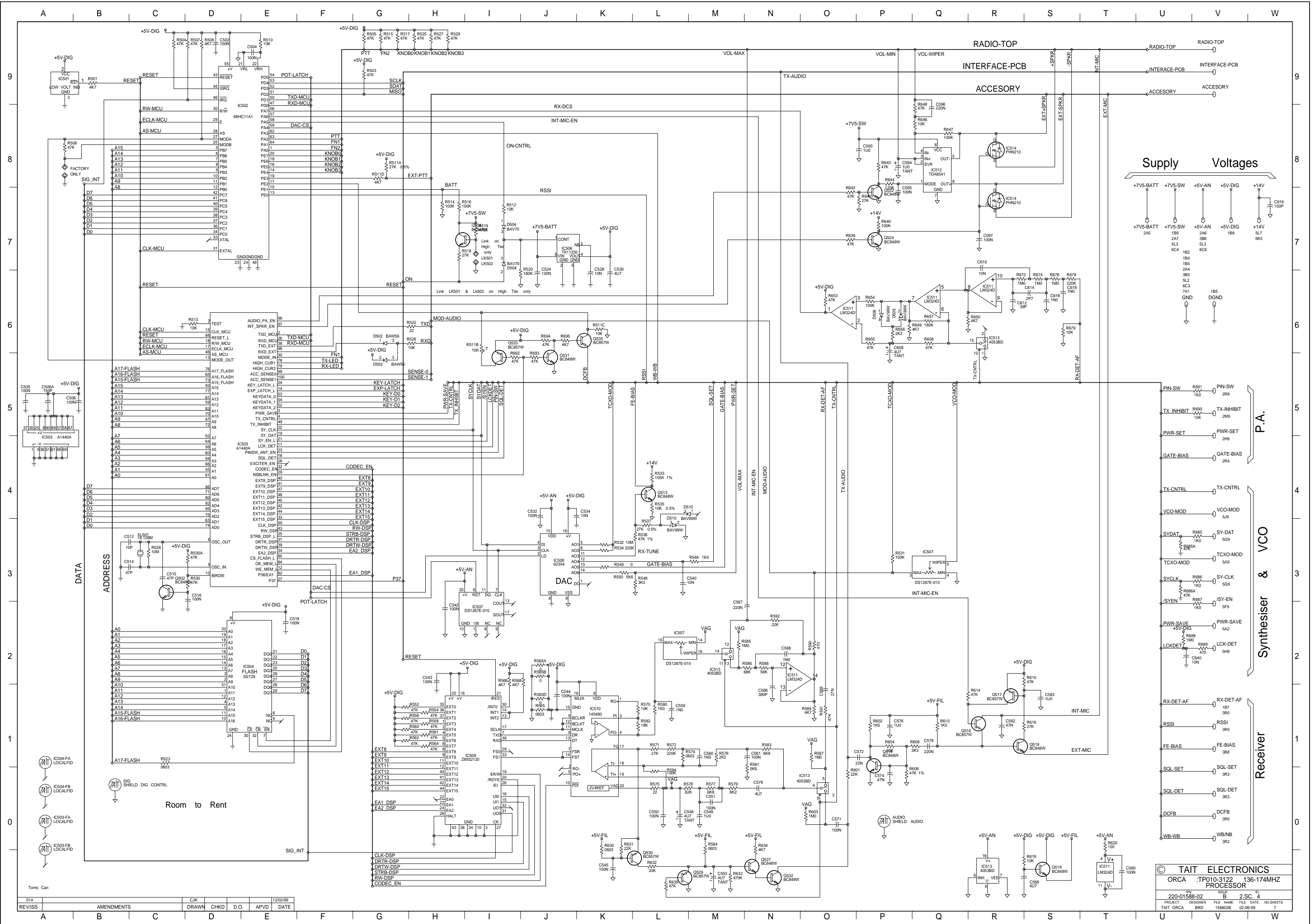




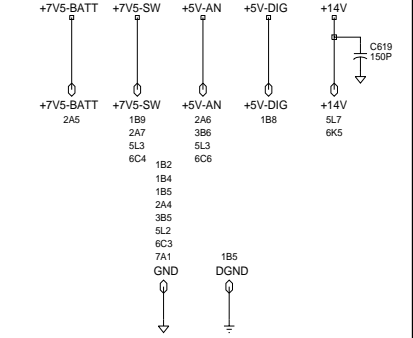
01A	NEW PA LINEUP (BC-S)	CJK			12/02/99
REV/ISS	AMENDMENTS	DRAWN	CHKD	D.O.	APVD DATE

© TAIT ELECTRONICS
 ORCA :TP010-3122 136-174MHZ
 POWER AMPLIFIER
 IPN: B ISSUE: 2.S.C. 2
 PROJECT: 220-01588-02 DESIGNER: BRD FILE NAME: 158802B FILE DATE: 02-06-99 NO.SHEETS: 7

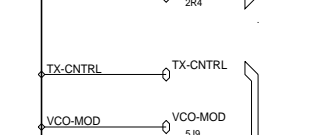




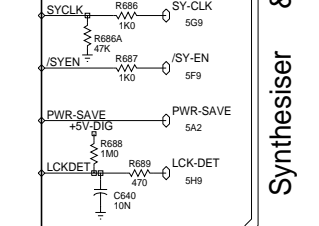
Supply Voltages



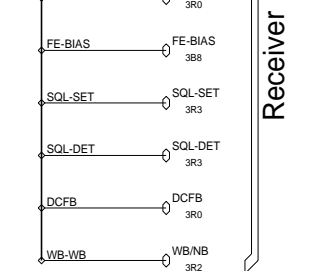
P.A.



Synthesiser & VCO

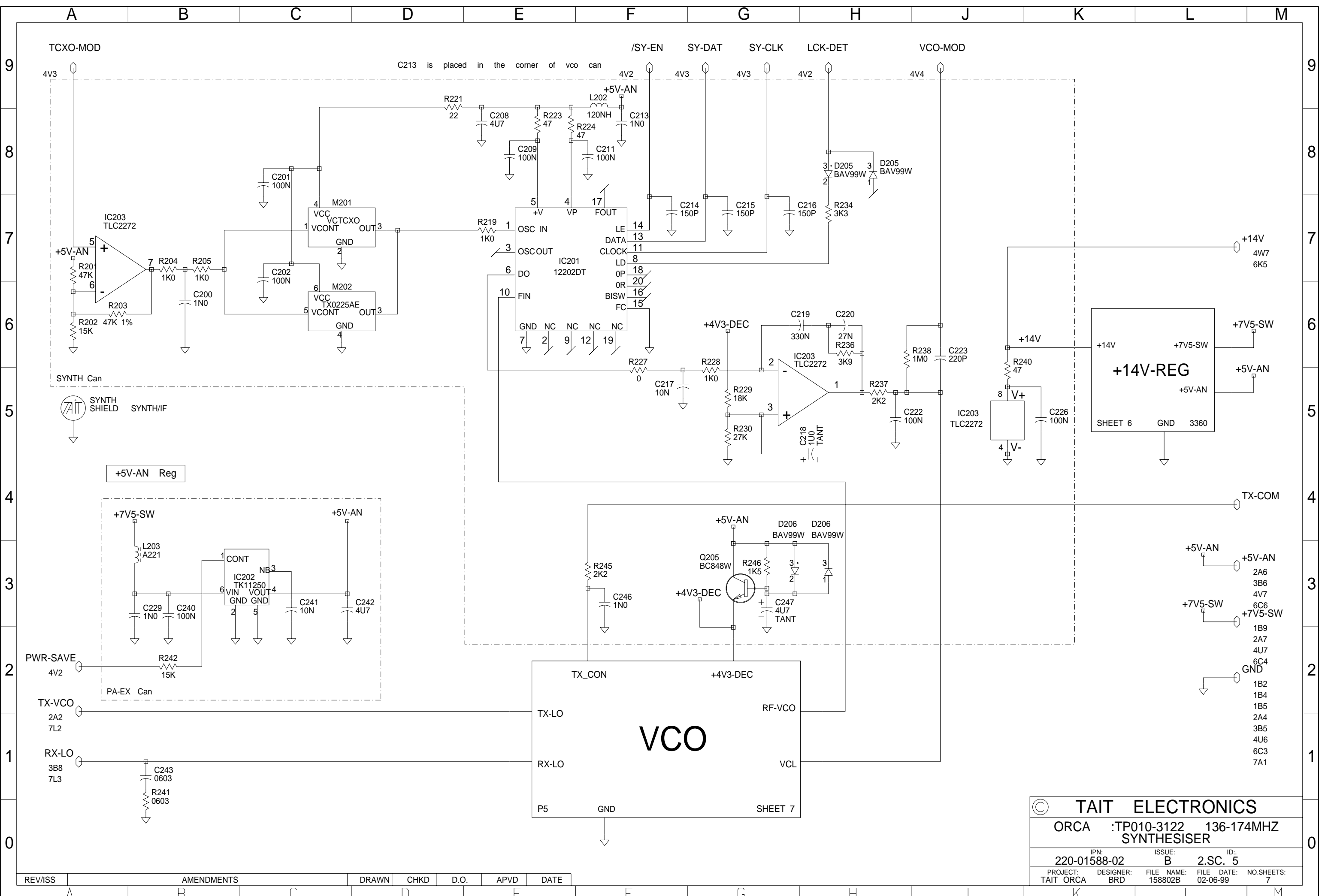


Receiver



© TAIT ELECTRONICS			
ORCA :TP010-3122 136-174MHZ			
PROCESSOR			
REV/ISS	AMENDMENTS	CJK	12/02/99
01A			DATE

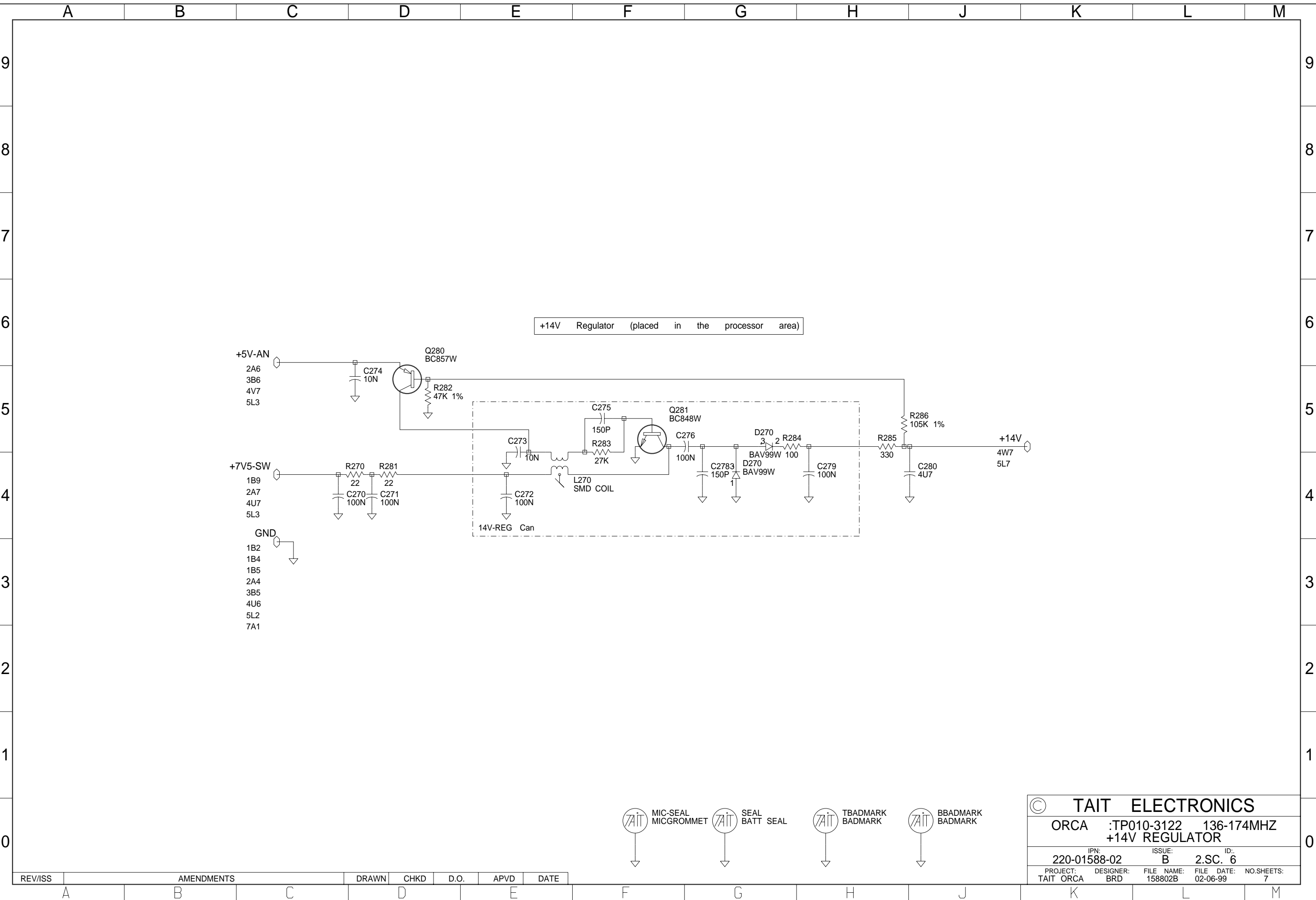
01A					12/02/99
REV/ISS	AMENDMENTS	DRAWN	CHKD	D.O.	APVD
A					DATE



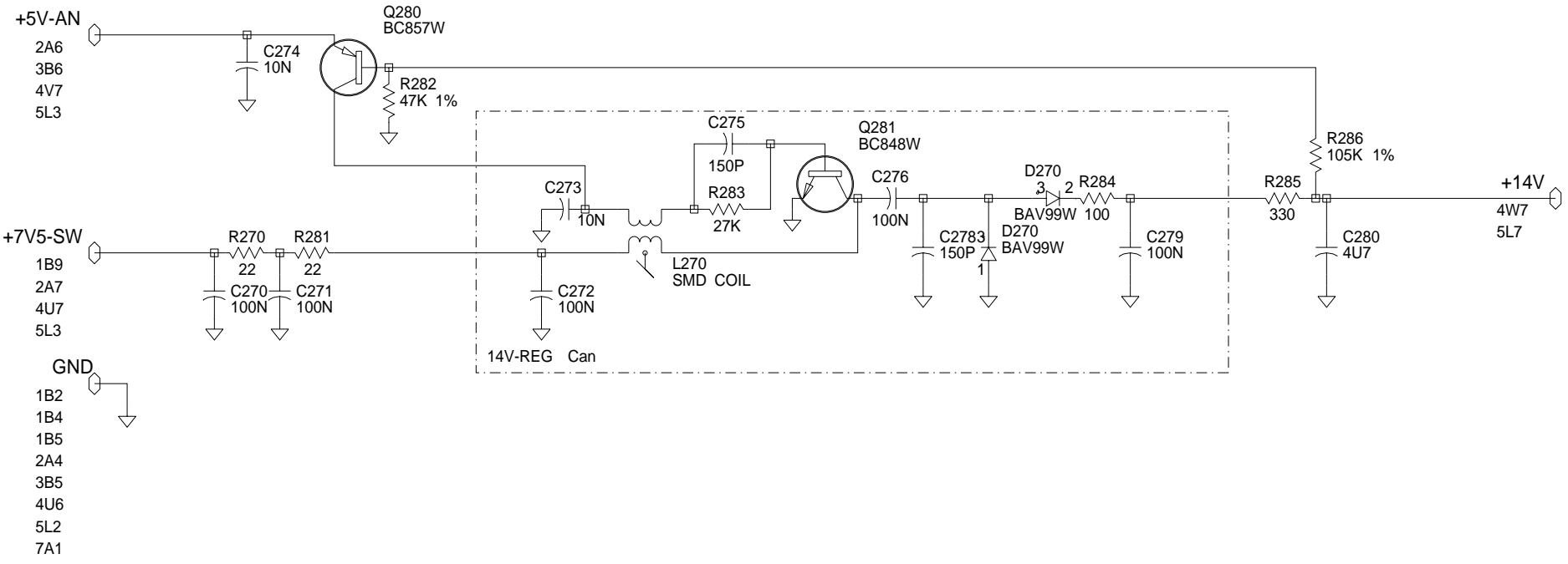
© TAIT ELECTRONICS
 ORCA :TP010-3122 136-174MHZ SYNTHESISER
 IPN: 220-01588-02 ISSUE: B ID: 2.SC. 5
 PROJECT: TAIT ORCA DESIGNER: BRD FILE NAME: 158802B FILE DATE: 02-06-99 NO.SHEETS: 7

REV/ISS	AMENDMENTS	DRAWN	CHKD	D.O.	APVD	DATE

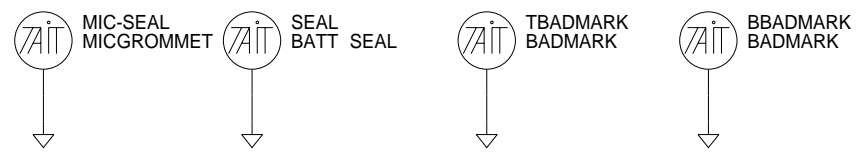
- +5V-AN 2A6
- +5V-AN 3B6
- 4V7 4V7
- +7V5-SW 6C6
- +7V5-SW 1B9
- 2A7 2A7
- 4U7 4U7
- 6C4 6C4
- GND 1B2
- 1B4 1B4
- 1B5 1B5
- 2A4 2A4
- 3B5 3B5
- 4U6 4U6
- 6C3 6C3
- 7A1 7A1



+14V Regulator (placed in the processor area)

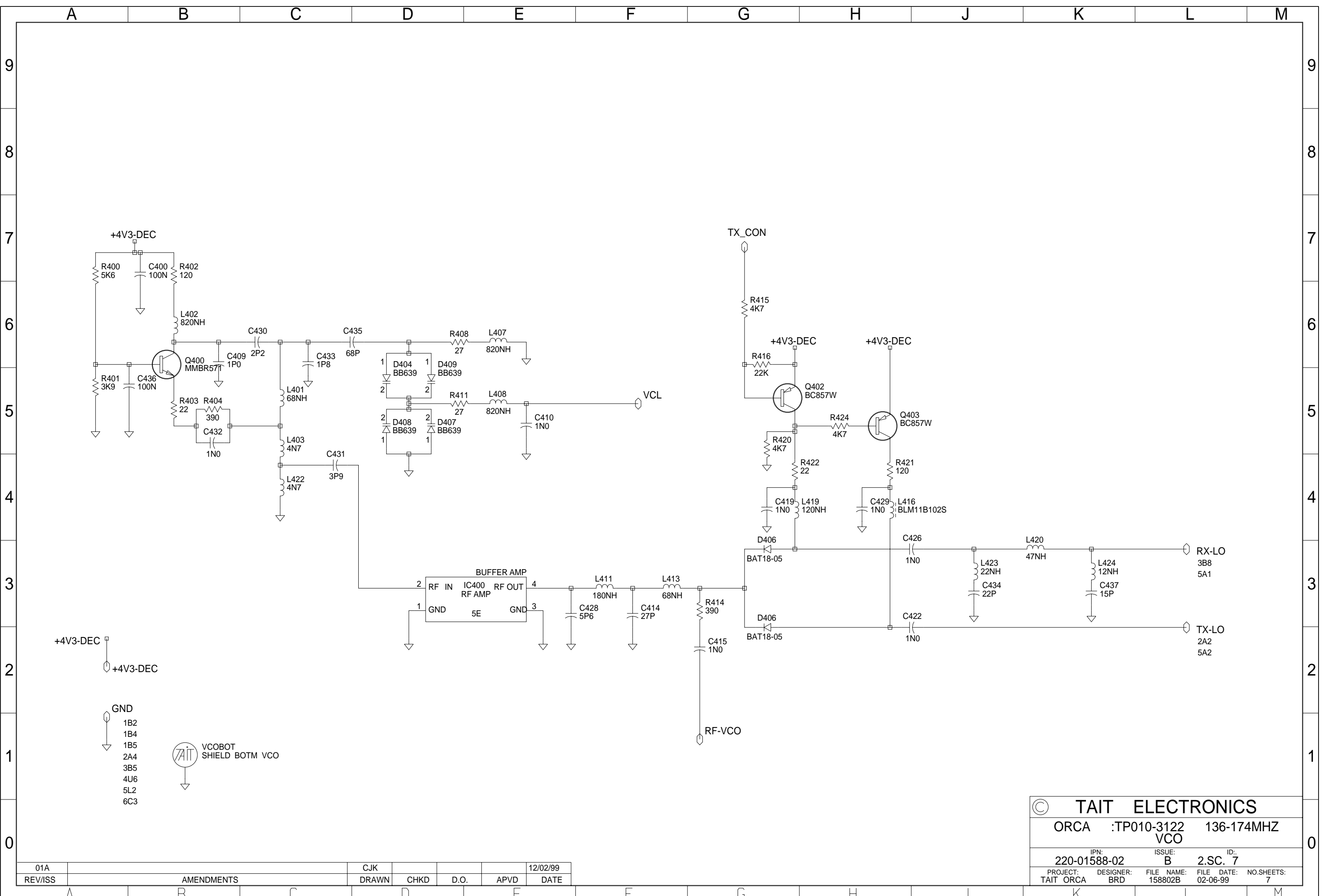


- GND
- 1B2
 - 1B4
 - 1B5
 - 2A4
 - 3B5
 - 4U6
 - 5L2
 - 7A1



© TAIT ELECTRONICS				
ORCA :TP010-3122		136-174MHZ		
+14V REGULATOR				
IPN: 220-01588-02		ISSUE: B		ID: 2.SC. 6
PROJECT: TAIT ORCA	DESIGNER: BRD	FILE NAME: 158802B	FILE DATE: 02-06-99	NO.SHEETS: 7

REV/ISS	AMENDMENTS	DRAWN	CHKD	D.O.	APVD	DATE



01A		CJK				12/02/99
REV/ISS	AMENDMENTS	DRAWN	CHKD	D.O.	APVD	DATE

© TAIT ELECTRONICS
 ORCA :TP010-3122 136-174MHZ
 VCO
 IPN: 220-01588-02 ISSUE: B ID: 2.SC. 7
 PROJECT: TAIT ORCA DESIGNER: BRD FILE NAME: 158802B FILE DATE: 02-06-99 NO.SHEETS: 7